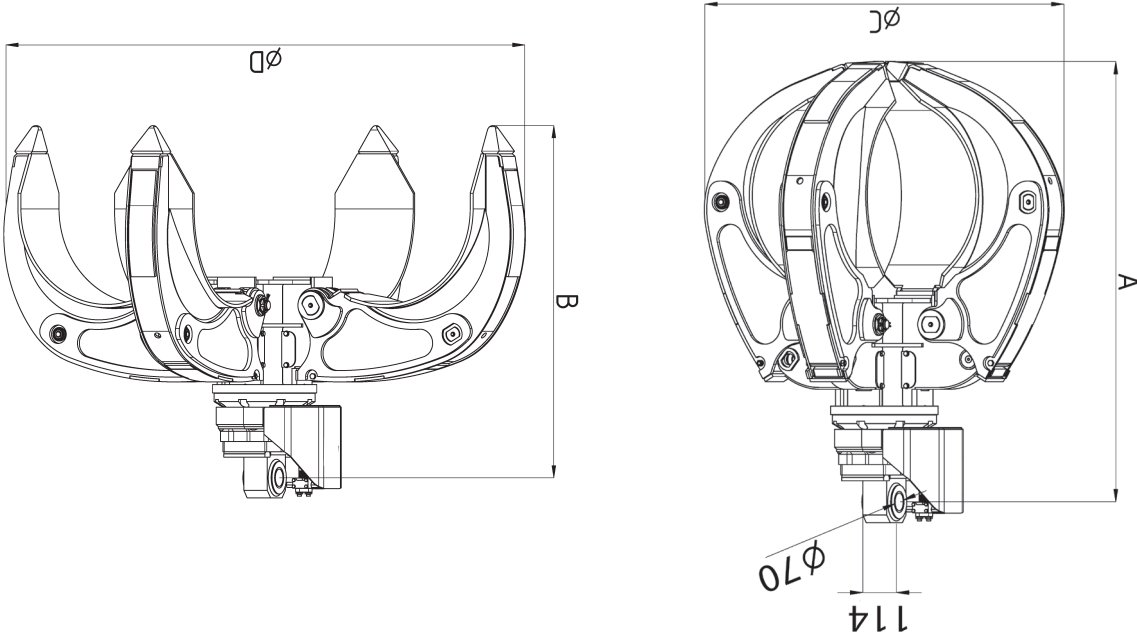
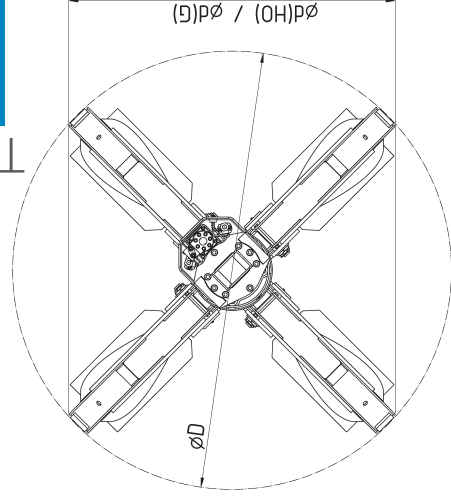
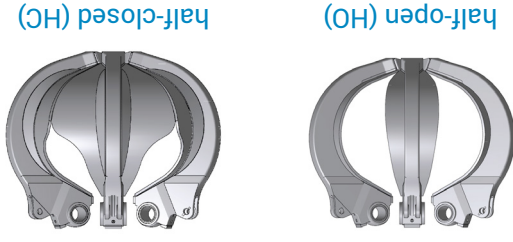


Series | FMT4.1 - 4

Excavator weight class: up to 45 t
Orange peel grab, 4-arm



Type	Capacity SAE (l)	Bulk density max. (t/m ³)	Weight (kg)	Dimensions (mm)					
			HO	HC	A	B	C	D	(HO)
FMT4.1-600-4	600	2.0	1460	1525	1840	1520	1730	2400	1810
FMT4.1-800-4	800	2.0	1520	1595	1950	1570	1730	2600	1950



Technical specifications | FMT4.1-4

Excavator weight class	t	up to 45
Max. grab load bearing capacity	t	Grab: 8 / slewing gear: 25
Max. operating pressure	bar	350 (grab function) / 140 (turning function)
Max. speed	RPM	18



|Use: Mobile and chain excavators

Special transfer and sorting grab for large and bulky material such as found in quarries, scrap sorting, garbage dumps and recycling facilities.



|Design features

- The shells are exchangeable within the entire series
- 4 shells made entirely of high-strength fine-grained steel (HB 450) , 3-shell and 5-shell versions are available
- Shell tips of high-strength manganese steel
- Arm made entirely of high-strength fine-grained steel (HB 450)
- Continuously rotatable hydraulic slewing gear
- Lifting cylinder with dampened end position
- flat, compact design - all hydraulic supply lines run protected in the steel structure
- Hose protective plate for the hydraulic connections on the slewing gear

|Available accessories and equipment

- Hose set and mounting for all known excavator manufacturers
- Lifting eyes
- Customized and special shells according to customer specifications
- Additional special equipment upon request