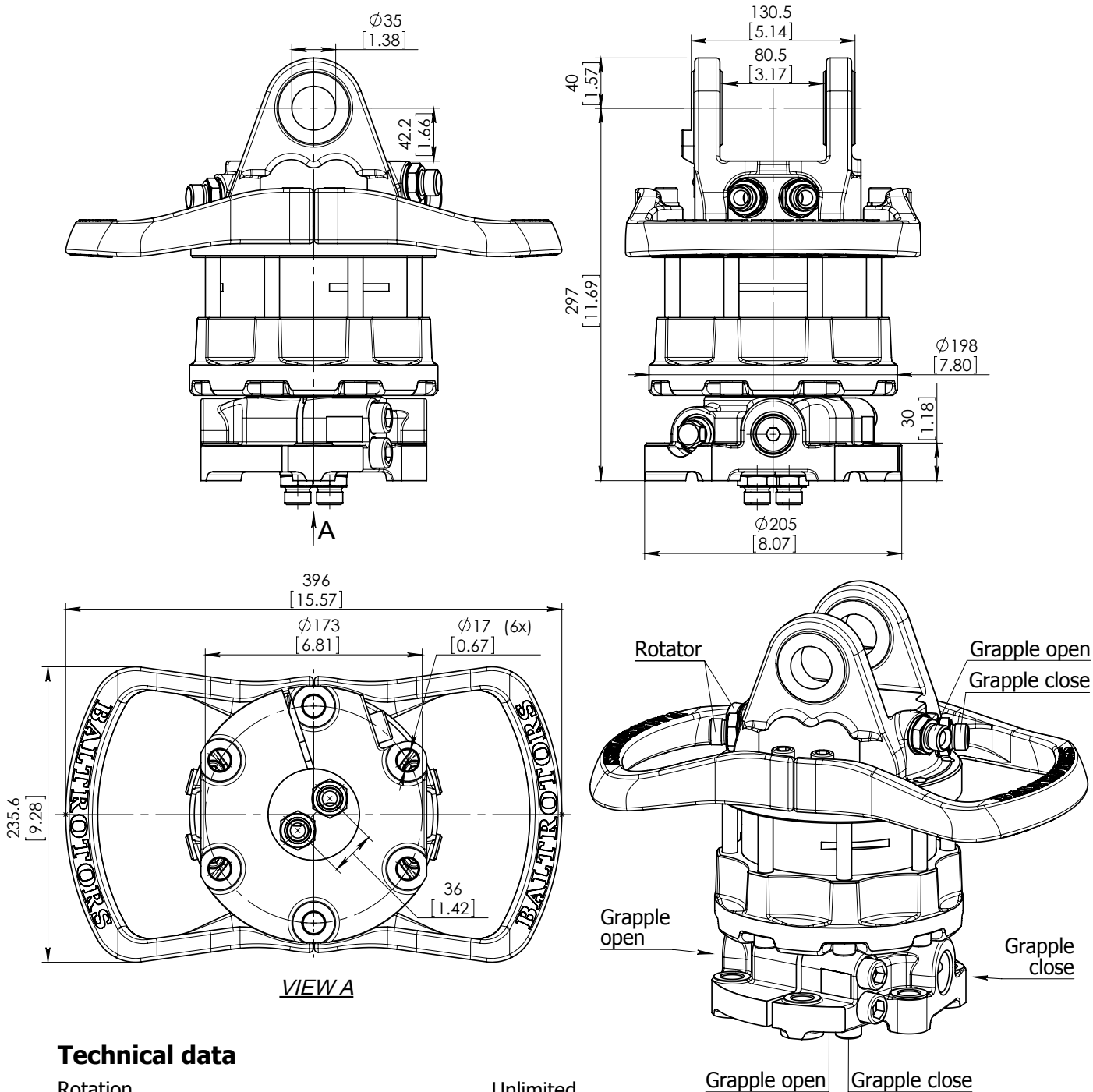


# ROTATOR GR603-2DB



## Technical data

Rotation	Unlimited
Max axial load static, kN (lbf)	+60 (13491) - 50 (11242)
Max axial load dynamic, kN (lbf)	+30 (6745) - 25 (5621)
Torque at 25MPa (3625psi), Nm (lb ft)	1800 (1328)
Rec oilflow, l/min (US gallon)	25 (6.6)
Weight, kg (lb)	47 (104)

## Max working pressure:

Rotator	<b>←R→</b>	Max 25 MPa (3625 psi)	G 1/2
Grapple / Tool open	<b>←G→</b>	Max 20 MPa (2900 psi)	G 1/2
Grapple / Tool close	<b>→G←</b>	Max 30 MPa (4350 psi)	G 1/2

## Connection: