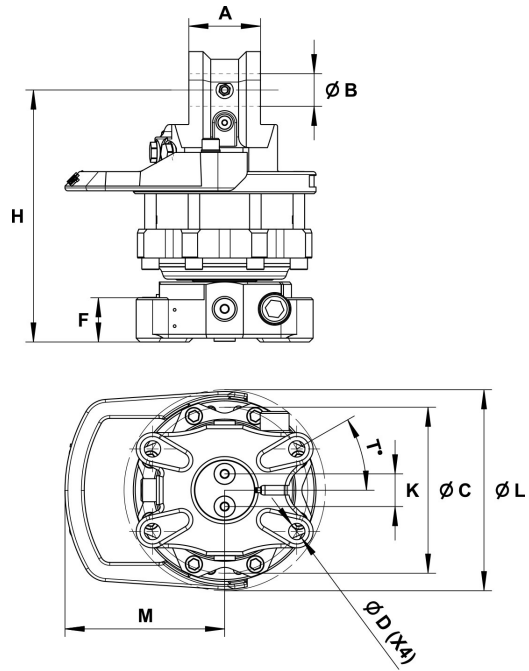
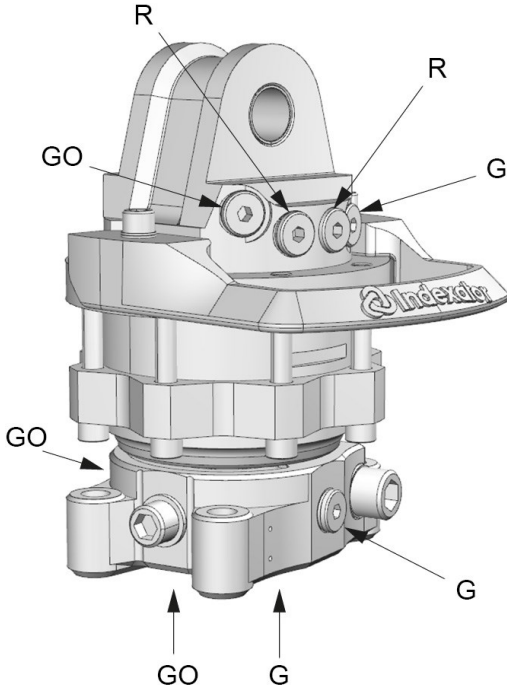










# GV 4/30 I

Part No.: 5002634



Upper connection	Lower connection
G 3/8	G 3/8

A: 75 mm	B: Ø30 mm	C: Ø173 mm	D: Ø17 mm	F: 46 mm	H: 263 mm	K: 34 mm	L: Ø207 mm	M: 166 mm	T: 30°
-------------	--------------	---------------	--------------	-------------	--------------	-------------	---------------	--------------	-----------

								
31.9 kg	360°	45 kN	25 kN	1150 Nm	12 l/min	25 MPa	30 MPa	30 MPa

Adapter sets are available for alternative connections.

For further technical information relating to integration and hydraulic connections, please contact [rotator@indexator.com](mailto:rotator@indexator.com)