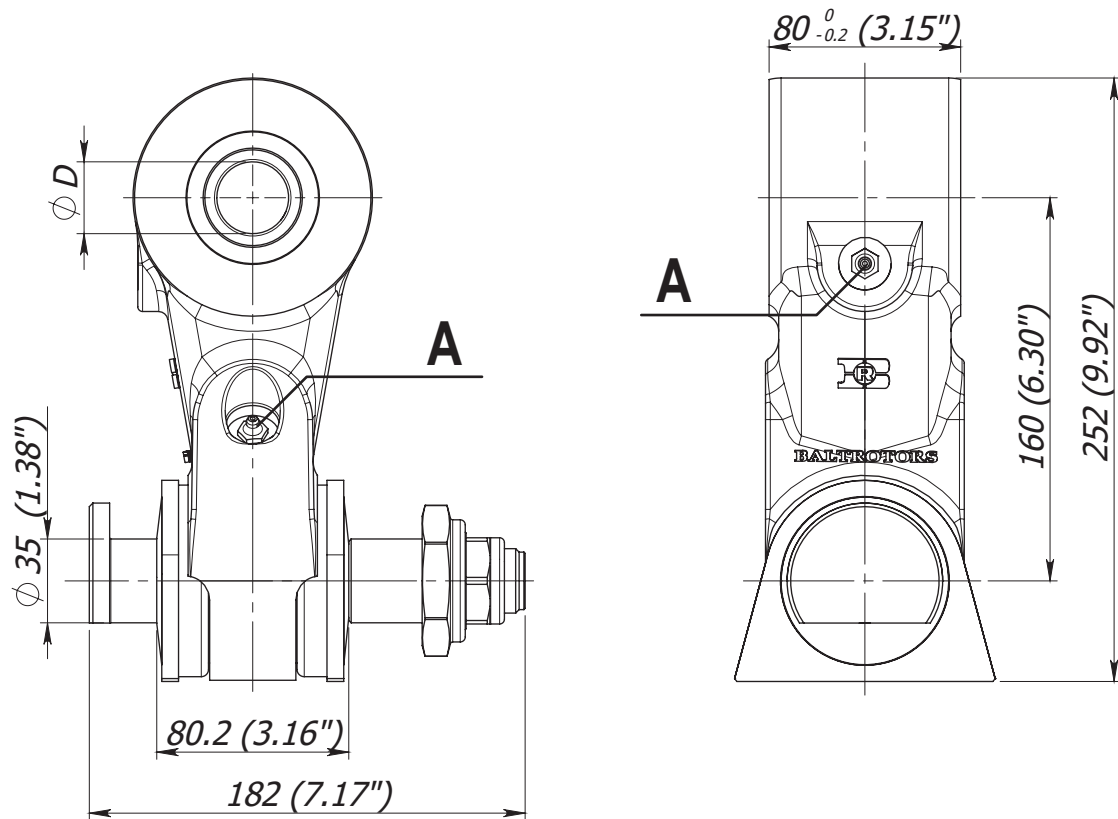
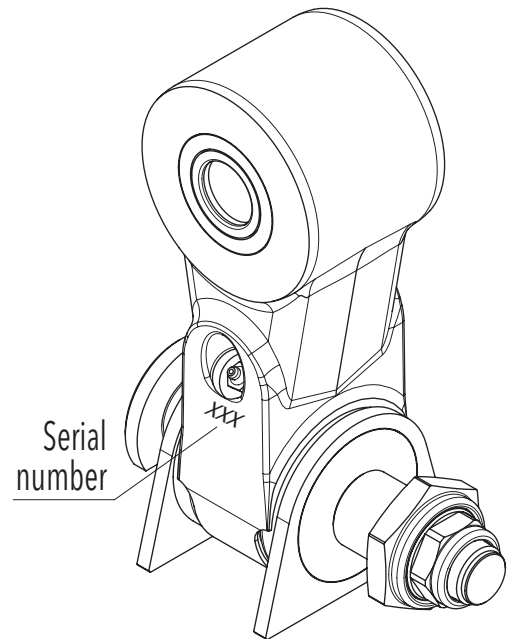
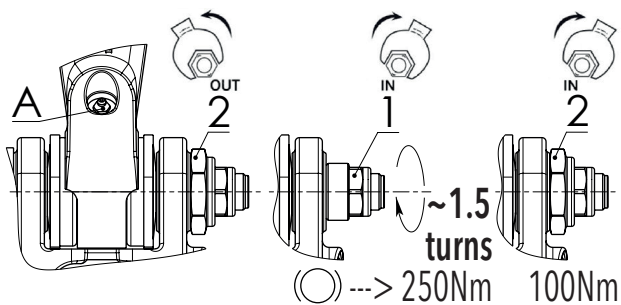


Swing damper BR20KSC



Link	Diameter D (mm)	Weight (kg)
BR 20 KSC/45	45 (1.77")	11.16 (24.60 lb)
BR 20 KSC/40	40 (1.57")	11.39 (25.11 lb)
BR 20 KSC/35	35 (1.38")	11.50 (25.35 lb)



To adjust the brake of the link, following actions have to be done:

- unscrew / release the Lock nut (pos.2)
- screw the Adjusting nut (pos.1) until the Disc spring starts to clamp
- tighten the Adjusting nut (pos.1) **~1.5 turns**, that will provide braking moment of **250 Nm** (185 lb ft)
- tighten the Lock nut (pos.2) with tightening torque 100 Nm (74 lb ft).

Max. Load - 10 ton (100 kN) (22485 lbf)

Greasing of lower slide bearing and brake cones is done through lubricating nipple (A). Fill grease Statoil Uniway Li62 (or equivalent) until it will appear to the external surfaces. Greasing must be repeated after every 8 working hours of the link.

NOTICE! The link is delivered ungreased. It should be well greased before taking into exploitation!