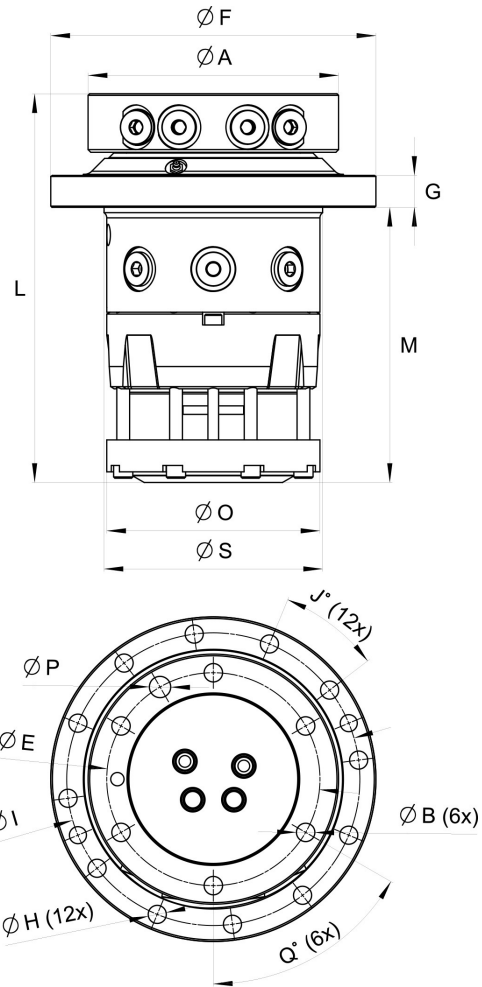
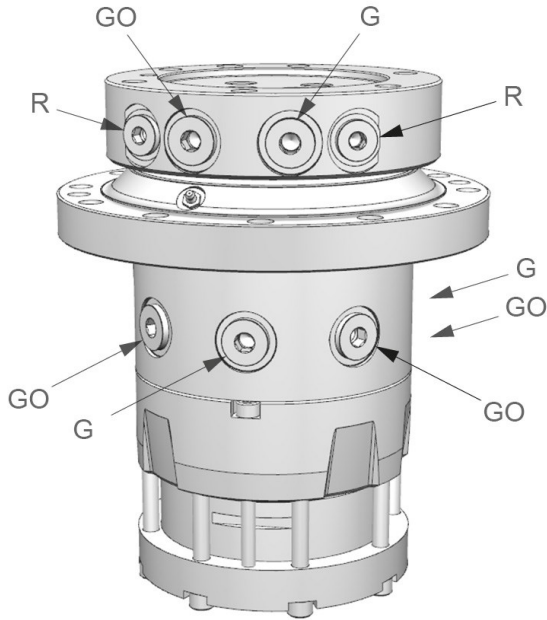











# IR 12L

Part No.: 8000613



Upper		Lower				
G GO: 1 1/16"-12 UNF	R: 7/8"-14 UNF	G: 1 1/16"-12 UNF	G: 1 1/16"-12 UNF	GO: 1 1/16"-12 UNF	GO: 1 1/16"-12 UNF	GO: 1 1/16"-12 UNF

A: Ø235 mm	B: M20	E: Ø200 mm	F: Ø305 mm	G: 30 mm	H: Ø17 mm	I: Ø275 mm	J: 30°	L: 367 mm	M: 259 mm	O: Ø200 mm	P: Ø20 mm	Q: 60°	S: Ø205 mm
---------------	-----------	---------------	---------------	-------------	--------------	---------------	-----------	--------------	--------------	---------------	--------------	-----------	---------------

								
83.6 kg	360°	±250 kN	±70 kN	2100 Nm	25 l/min	19 MPa	35 MPa	35 MPa

L = Rotator with the same torque as IR 10.

Pressure limiting valves fitted in the motor.

For further technical information relating to integration and hydraulic connections, please contact [rotator@indexator.com](mailto:rotator@indexator.com)