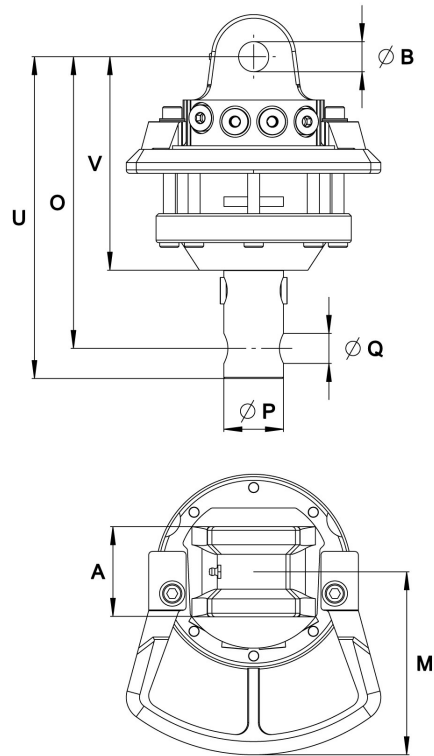
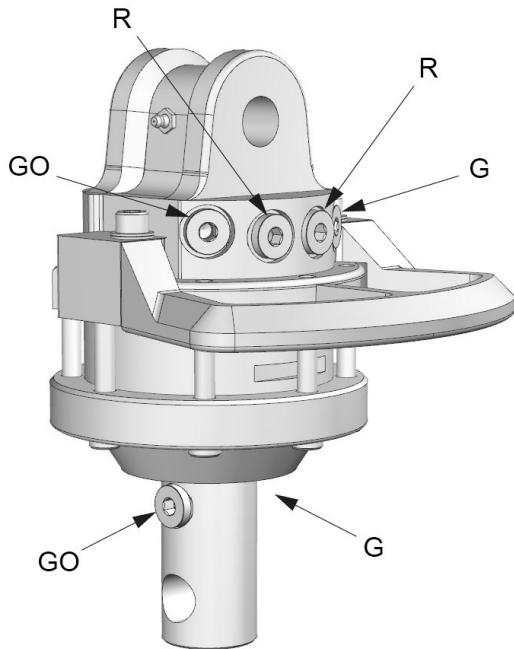


GV 3 -49,5/25 P

Part No.: 5002300



Upper connection	Lower connection
G 3/8	G 3/8

A: 75 mm	B: Ø25 mm	M: 152 mm	O: 243 mm	P: Ø49,5 mm	Q: Ø25 mm	U: 268 mm	V: 178 mm
-------------	--------------	--------------	--------------	----------------	--------------	--------------	--------------

		Max 	Max 		Max 	Max 	Max 	Max
17.4 kg	360°	30 kN ¹	12.5 kN	950 Nm	10 l/min	25 MPa	20 MPa ²	30 MPa

¹ 40 kN when mounted to a piece goods crane.

² 25 MPa when mounted to a piece goods crane.

Rotator where the connections and tap hole through the shaft are parallel.

Adapter sets are available for alternative connections.

For further technical information relating to integration and hydraulic connections, please contact rotator@indexator.com