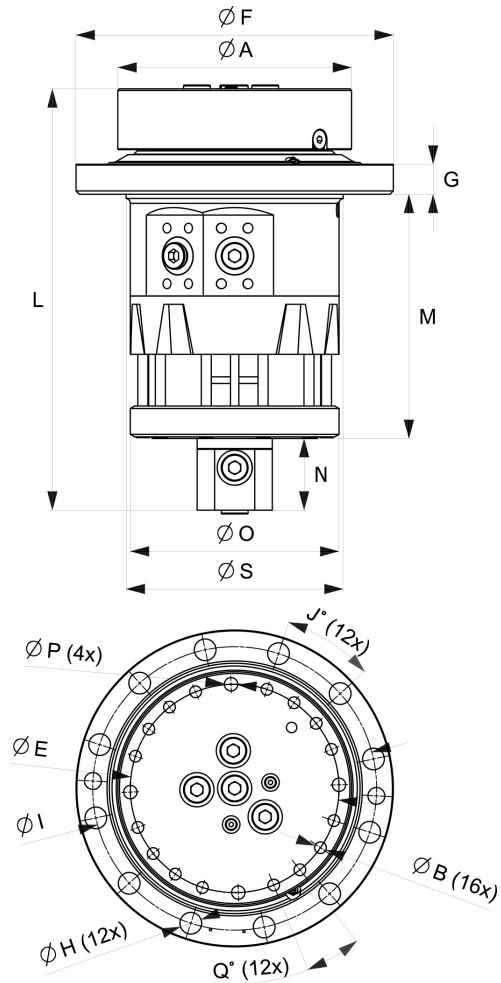
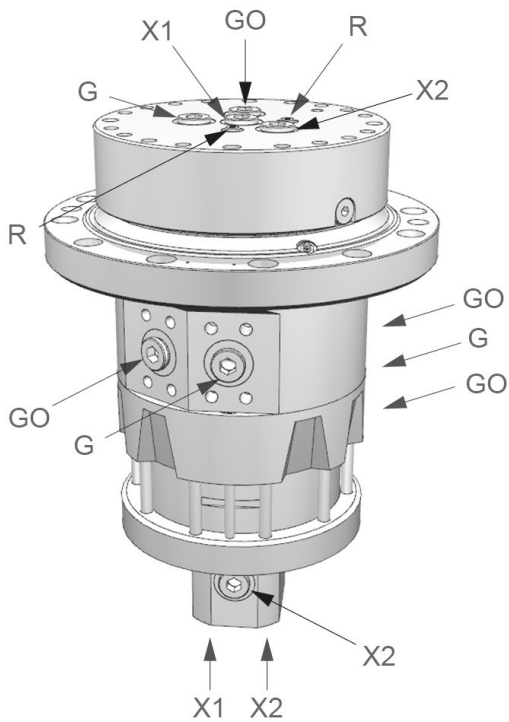


IR 22 X2

Part No.: 8000755



Upper				Lower						
X1: 1 1/16"-12 UNF	X2: 1 1/16"-12 UNF	G GO: 1 1/16"-12 UNF	R: 7/16"-20 UNF	X1: 1 1/16"-12 UNF	X2: 1 1/16"-12 UNF	G: 1 1/16"-12 UNF / SAE 6000 DN 32	G: 1 1/16"-12 UNF / SAE 6000 DN 32	GO: 1 1/16"-12 UNF / SAE 6000 DN 32	GO: 1 1/16"-12 UNF / SAE 6000 DN 32	GO: 1 1/16"-12 UNF

A: Ø280 mm	B: M16	E: Ø250 mm	F: Ø380 mm	G: 36 mm	H: Ø26 mm	I: Ø340 mm	J: 30°	L: 506 mm	M: 293 mm	N: 86 mm	O: Ø250 mm	P: Ø16 mm	Q: 16,7°
---------------	-----------	---------------	---------------	-------------	--------------	---------------	-----------	--------------	--------------	-------------	---------------	--------------	-------------

S: Ø260 mm

		Max	Max			Max	Max	Max	Max	Max	Max	Max	Max
158 kg	360°	±450 kN	±150 kN	4100 Nm	35 l/min	25 MPa	35 MPa	35 MPa	35 MPa	35 MPa	35 MPa	35 MPa	35 MPa

Pressure limiting valves fitted in the motor.

For further technical information relating to integration and hydraulic connections, please contact rotator@indexator.com