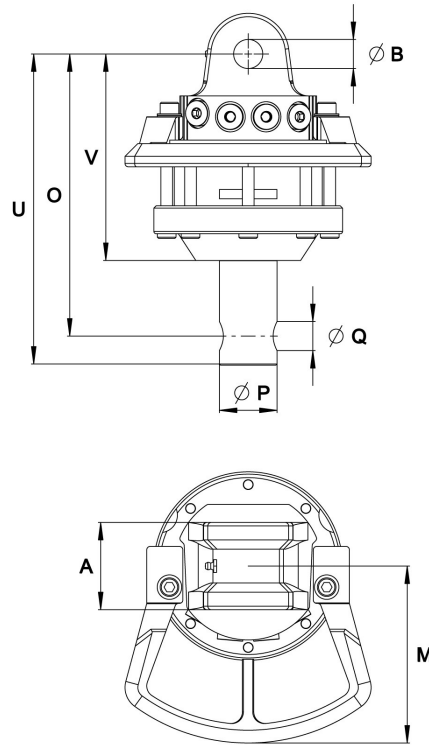
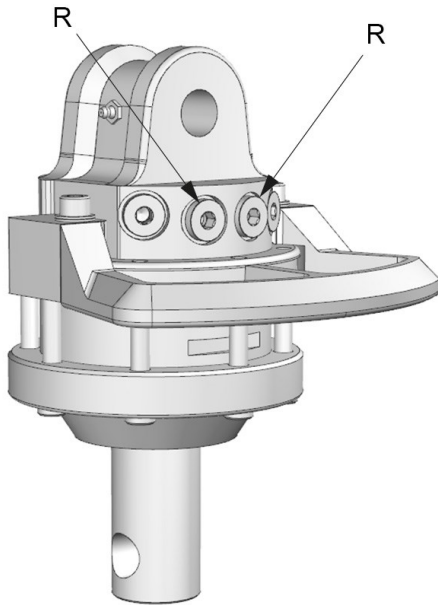


# GV 3 -49,5/25 V

Part No.: 5002244



## Upper connection

G 3/8

A: 75 mm	B: Ø25 mm	M: 152 mm	O: 243 mm	P: Ø49,5 mm	Q: Ø25 mm	U: 268 mm	V: 178 mm
-------------	--------------	--------------	--------------	----------------	--------------	--------------	--------------

 17.5 kg	 360°	Max  30 kN	Max  12.5 kN	 950 Nm	Max  10 l/min	Max  25 MPa
--	---	---	---	--	--	--

V = Head rotators; only for connection in upper section.

Adapter sets are available for alternative connections.

For further technical information relating to integration and hydraulic connections, please contact [rotator@indexator.com](mailto:rotator@indexator.com)