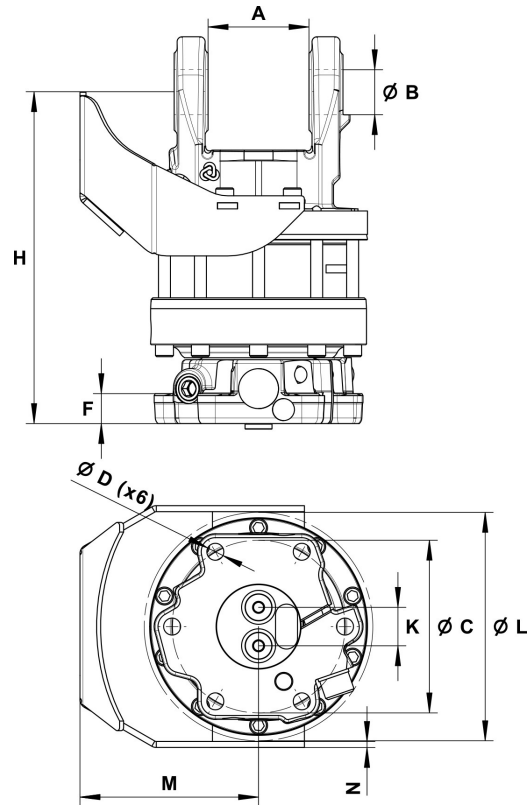
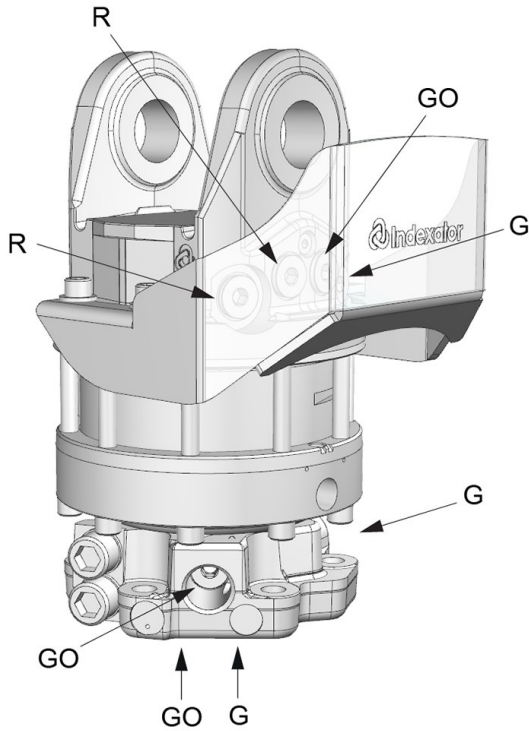


# GV 12S LS Y XL










Part No.: 5120004

- Load Sense
- Protected Hose Routing



Upper connection	Lower connection
G 1/2	G 1/2

A: 101 mm	B: Ø45 mm	C: Ø173 mm	D: Ø17 mm	F: 30 mm	H: 333 mm	K: 38,5 mm	L: Ø229 mm	M: 179 mm	N: 6 mm
--------------	--------------	---------------	--------------	-------------	--------------	---------------	---------------	--------------	------------

 58.5 kg	 360°	Max  100 kN	Max  50 kN	 2200 Nm	Max  25 l/min	Max  25 MPa	Max  25 MPa	Max  25 MPa
--	---	--	---	--	---	--	--	--

Adapter sets are available for alternative connections.

For further technical information relating to integration and hydraulic connections, please contact [rotator@indexator.com](mailto:rotator@indexator.com)