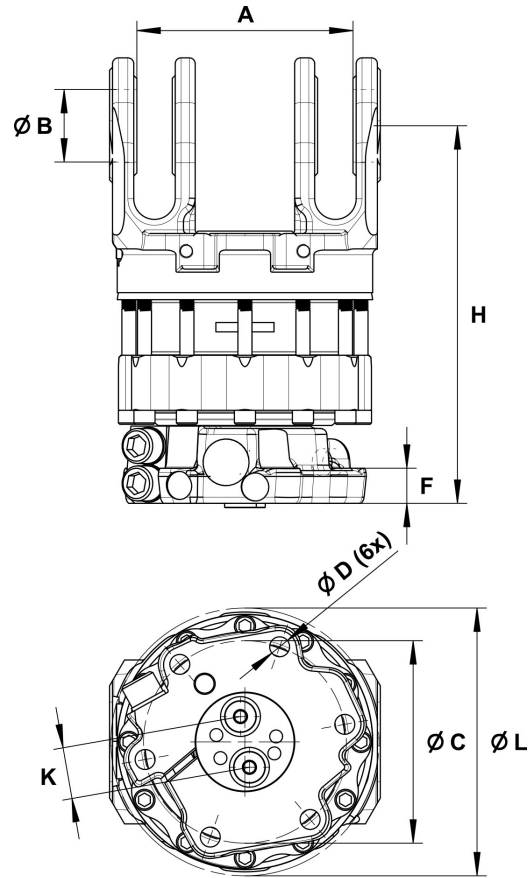
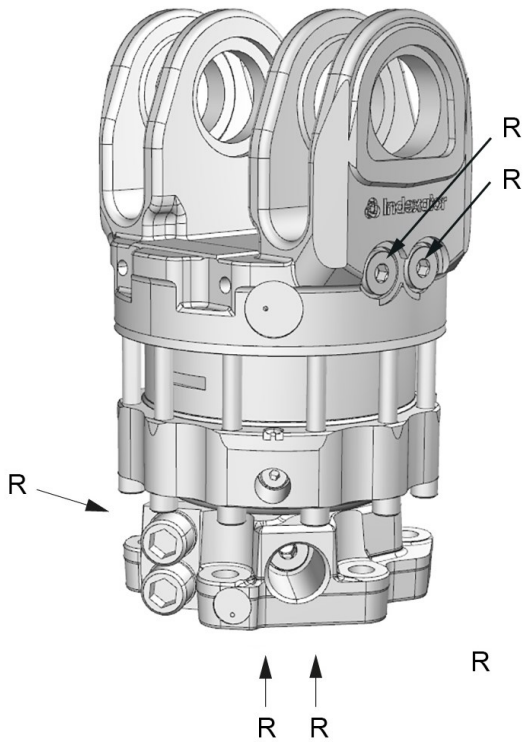


H 112

Part No.: 7212110



Upper connection	Lower connection
G 1/2	G 1/2

A: MPB2	B: MPB	C: 173 mm	D: 17 mm	F: 30 mm	H: 323 mm	K: 43 mm	L: 229 mm
------------	-----------	--------------	-------------	-------------	--------------	-------------	--------------

						
54 kg	360°	100 kN	50 kN	2200 Nm	25 l/min	25 MPa

Rotator suitable for MPB swing dampers.

Adapter sets are available for alternative connections.

For further technical information relating to integration and hydraulic connections, please contact rotator@indexator.com