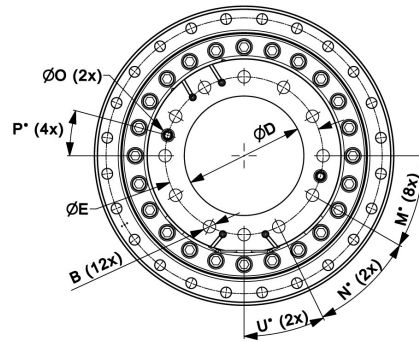
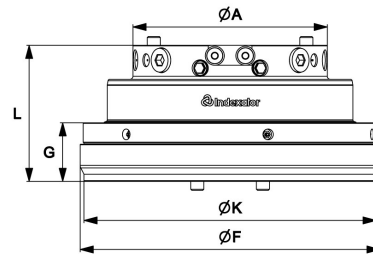
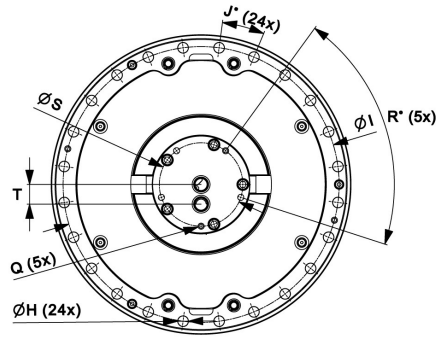
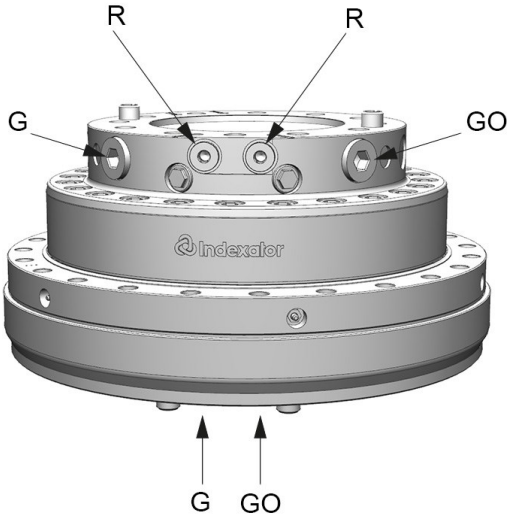


XR 500

Part No.: 8500000



Upper

G GO:	R:
G 1	G 1/2

A: Ø326 mm	B: M24	D: Ø200 mm	E: Ø265 mm	F: Ø503 mm	G: 98,5 mm	H: Ø17,5 mm	I: Ø463 mm	J: 15°	K: Ø490 mm	L: 228,5 mm	M: 30°	N: 34°	O: Ø22 mm
P: 15°	Q: M12	R: 72°	S: Ø140 mm	T: 33 mm	U: 26°								

216 kg	360°	±700 kN ¹	±250 kN	±180 kN	7000 Nm	40 l/min	25 MPa	35 MPa	35 MPa

¹ Max axial load static indicate theoretical max load for hanging applications without accelerations.

Oil distributor ordered separately

Pressure limiting valves fitted.

For further technical information relating to integration and hydraulic connections, please contact rotator@indexator.com