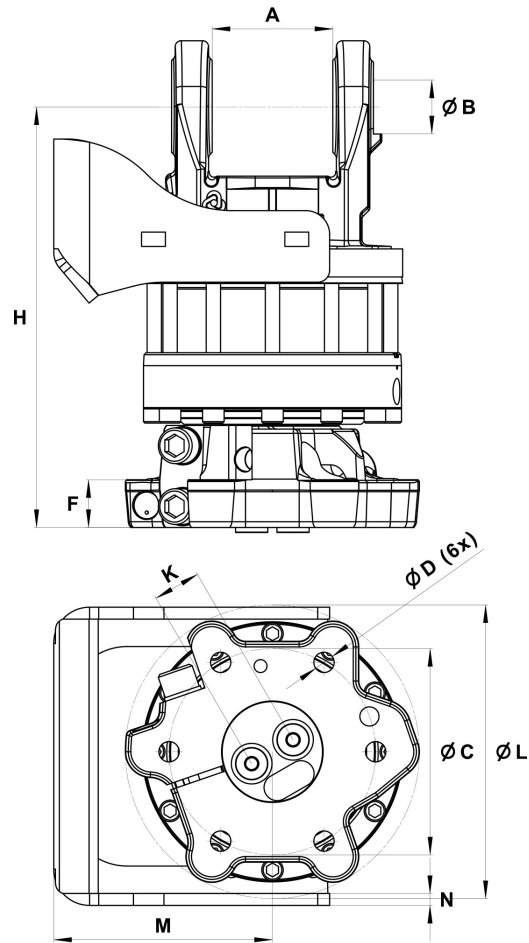
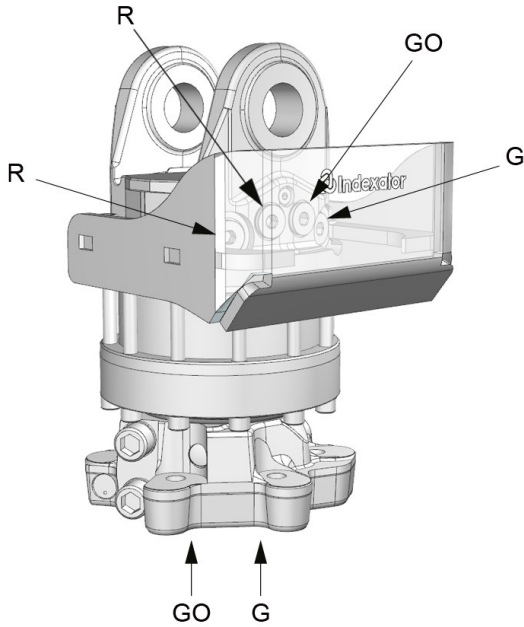


GV 17S A Y HD

Part No.: 5217080

- Protected Hose Routing



| Upper connection | Lower connection |
|------------------|------------------|
| G 1/2 | G 1/2 |

| | | | | | | | | | |
|--------------|--------------|---------------|--------------|-------------|--------------|-------------|---------------|--------------|-------------|
| A: 101 mm | B: Ø45 mm | C: Ø173 mm | D: Ø17 mm | F: 40 mm | H: 353 mm | K: 40 mm | L: Ø248 mm | M: 179 mm | N: 10 mm |
|--------------|--------------|---------------|--------------|-------------|--------------|-------------|---------------|--------------|-------------|

| | | | | | | | | |
|-------|------|---------------|--------------|---------|-----------------|---------------|---------------|---------------|
| | | | | | | | | |
| 68 kg | 360° | Max 160 kN | Max 50 kN | 3300 Nm | Max 35 l/min | Max 25 MPa | Max 25 MPa | Max 25 MPa |

Rotator with only axial connections for a grapple function.

Rotators with the term HD has a hose guard with extra thick material (10 mm), compared to rotators designated with Y or Y XL (6 mm).

Adapter sets are available for alternative connections.

For further technical information relating to integration and hydraulic connections, please contact rotator@indexator.com