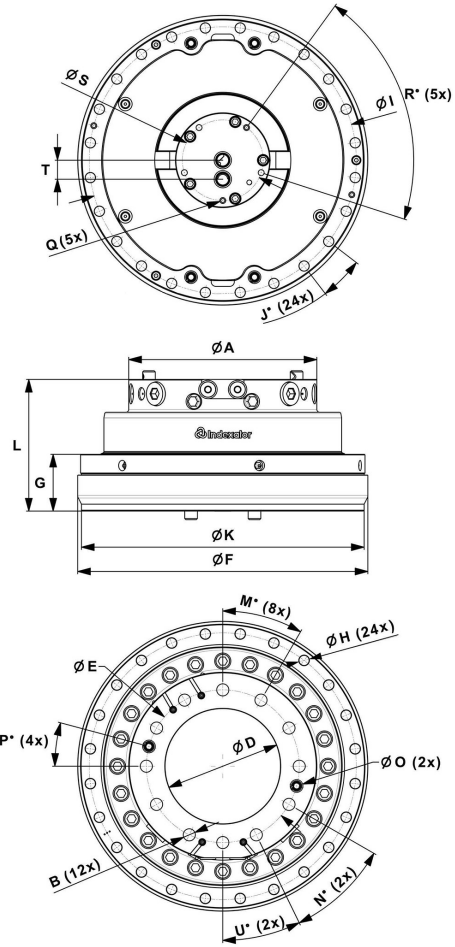
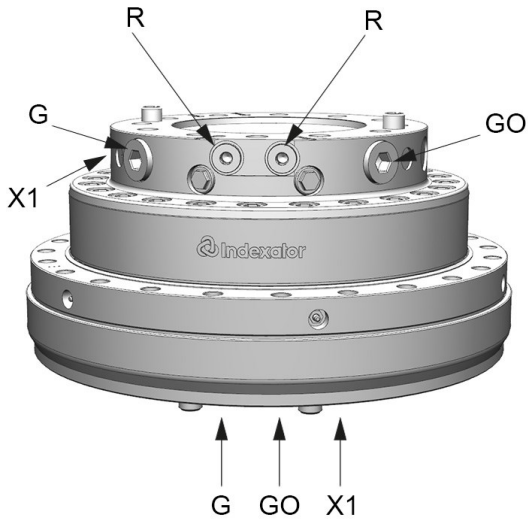


XR 500 C

Part No.: 8500001

- Central lubrication



Upper

X1:	G GO:	R:
M10 x 1,0	G 1	G 1/2

A:	B:	D:	E:	F:	G:	H:	I:	J:	K:	L:	M:	N:	O:
Ø326 mm	M24	Ø200 mm	Ø265 mm	Ø503 mm	98,5 mm	Ø17,5 mm	Ø463 mm	15°	Ø490 mm	228,5 mm	30°	34°	Ø22 mm
P:	Q:	R:	S:	T:	U:								
15°	M12	72°	Ø140 mm	33 mm	26°								

		Max	Max	Max		Max	Max	Max	Max	Max
216 kg	360°	±700 kN ¹	±250 kN	±180 kN	7000 Nm	40 l/min	25 MPa	35 MPa	35 MPa	40 MPa

¹ Max axial load static indicate theoretical max load for hanging applications without accelerations.

Oil distributor ordered separately

Pressure limiting valves fitted.

For further technical information relating to integration and hydraulic connections, please contact rotator@indexator.com