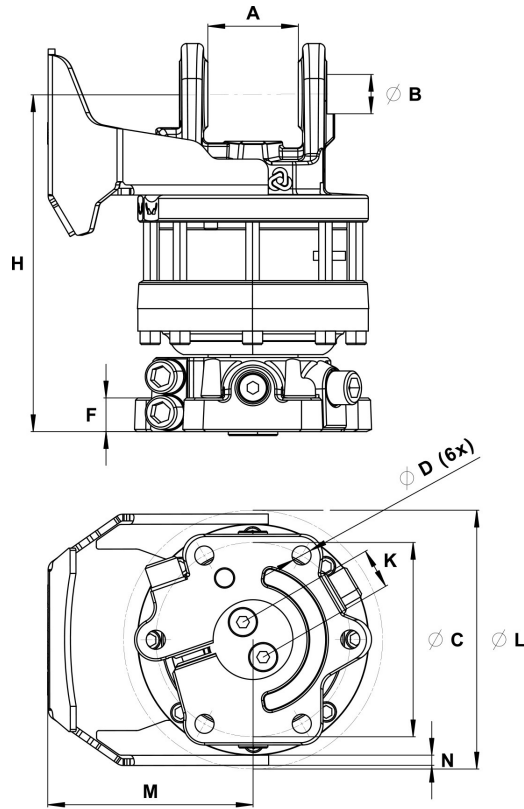
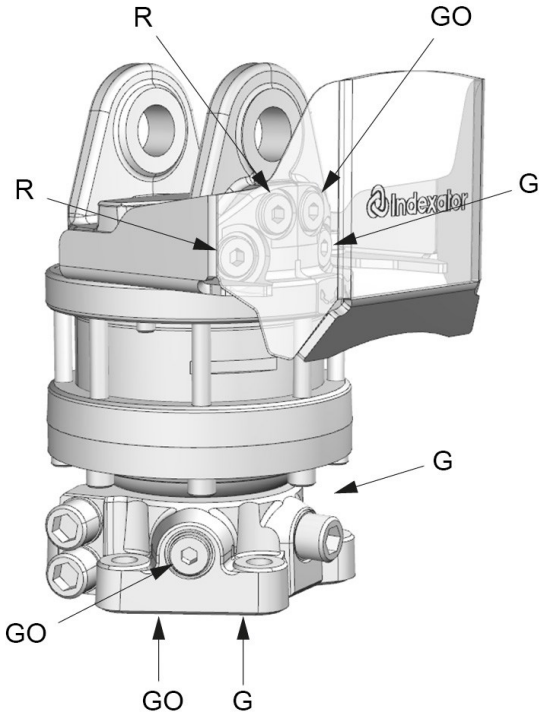


GV 6 Y

Part No.: 5006286

- Protected Hose Routing



Upper connection	Lower connection
G 1/2	G 1/2

A:	B:	C:	D:	F:	H:	K:	L:	M:	N:
80,5 mm	Ø35 mm	Ø173 mm	Ø17 mm	30 mm	300 mm	36 mm	Ø231 mm	183 mm	6 mm

		Max	Max		Max	Max	Max	Max
46 kg	360°			1400 Nm				
		60 kN	25 kN		25 l/min	20 MPa	20 MPa	30 MPa

Adapter sets are available for alternative connections.

For further technical information relating to integration and hydraulic connections, please contact rotator@indexator.com