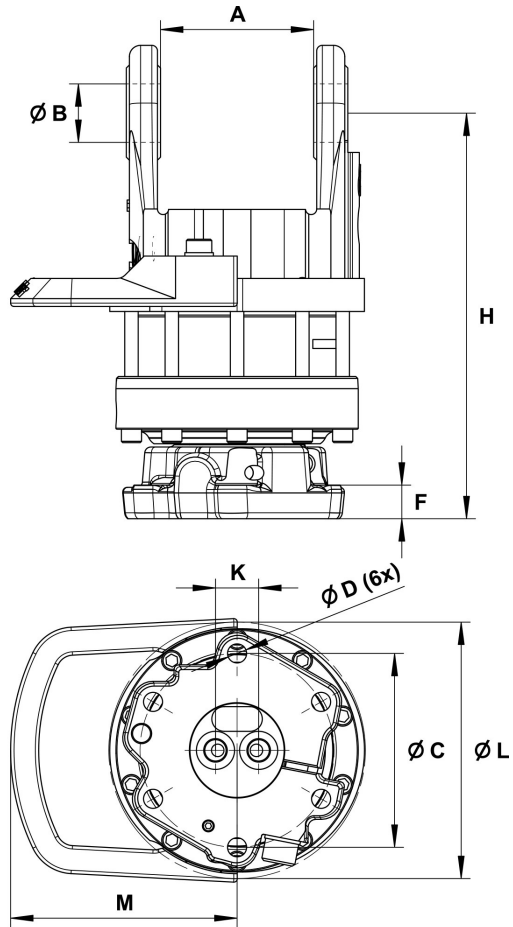
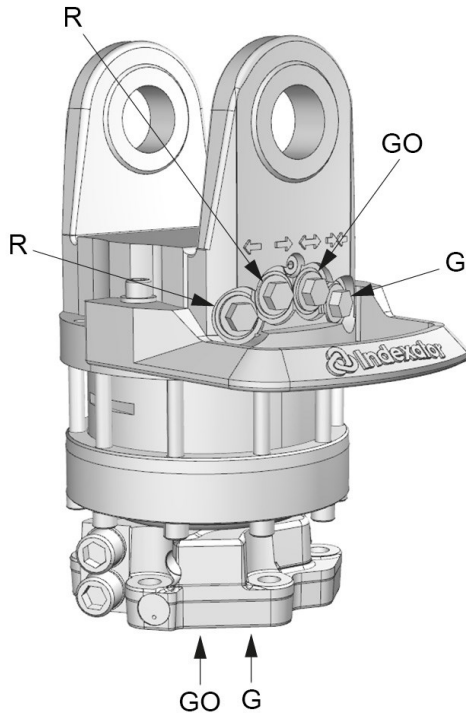











# GV 12US

Part No.: 5212180



Upper connection	Lower connection
7/8"-14 UNF	G 1/2

A: 136,5 mm	B: Ø52,2 mm	C: Ø173 mm	D: Ø17 mm	F: 30 mm	H: 365 mm	K: 38,5 mm	L: Ø229 mm	M: 202 mm
----------------	----------------	---------------	--------------	-------------	--------------	---------------	---------------	--------------

								
63.8 kg	360°	100 kN	50 kN	2200 Nm	25 l/min	25 MPa	25 MPa	25 MPa

For further technical information relating to integration and hydraulic connections, please contact [rotator@indexator.com](mailto:rotator@indexator.com)