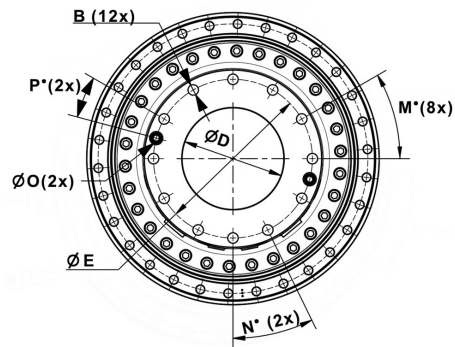
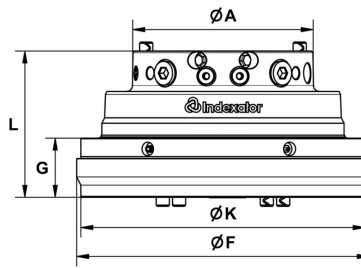
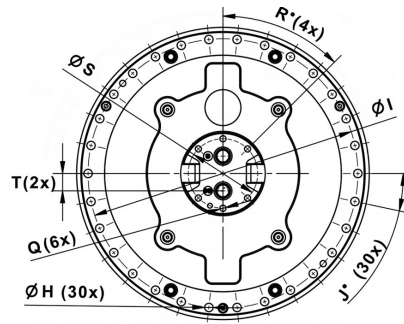
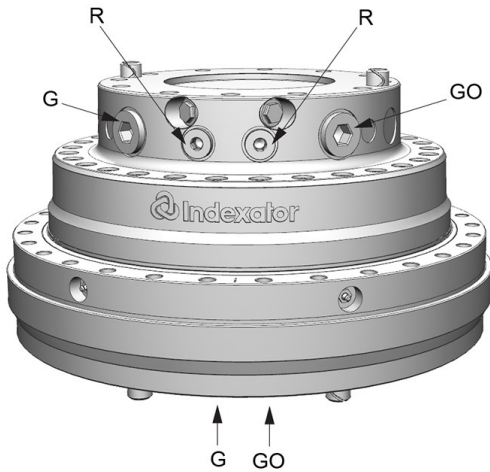


XR 400

Part No.: 8400003



Upper

| | |
|-------|-------|
| G GO: | R: |
| G 1 | G 1/2 |

| | | | | | | | | | | | | | |
|---------------|-----------|---------------|---------------|---------------|-------------|--------------|---------------|-----------|---------------|--------------|-----------|-----------|--------------|
| A: Ø300 mm | B: M20 | D: Ø170 mm | E: Ø265 mm | F: Ø488 mm | G: 99 mm | H: Ø14 mm | I: Ø450 mm | J: 12° | K: Ø474 mm | L: 244 mm | M: 30° | N: 26° | O: Ø22 mm |
| P: 15° | Q: M12 | R: 45° | S: Ø116 mm | T: 29 mm | | | | | | | | | |

| | | | | | | | | | |
|--------|------|----------------------|---------|---------|---------|----------|--------|--------|--------|
| | | | | | | | | | |
| 180 kg | 360° | ±550 kN ¹ | ±200 kN | ±140 kN | 4100 Nm | 35 l/min | 25 MPa | 40 MPa | 40 MPa |

¹ Max axial load static indicate theoretical max load for hanging applications without accelerations.

Oil distributor ordered separately

Pressure limiting valves fitted.

For further technical information relating to integration and hydraulic connections, please contact rotator@indexator.com