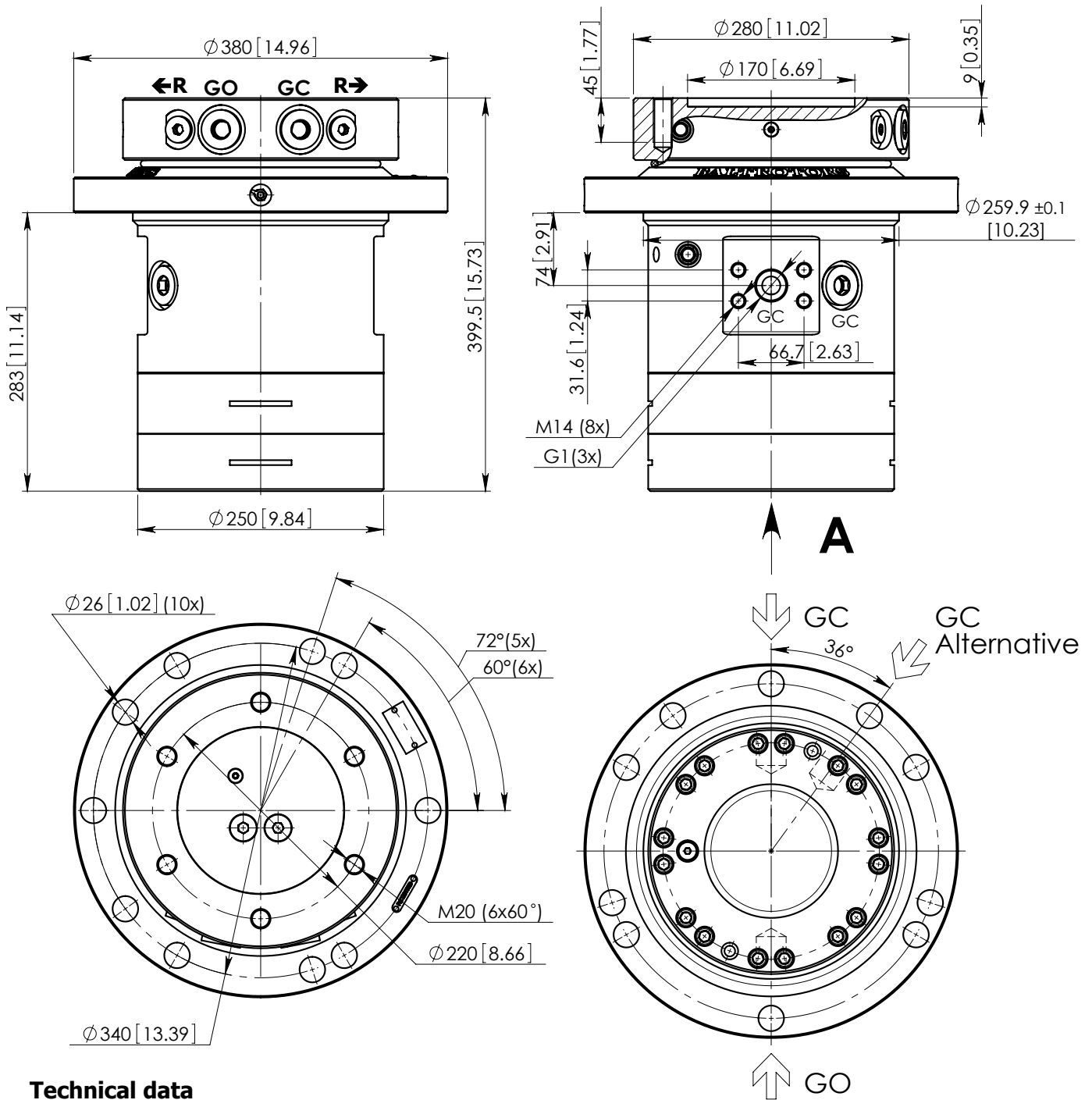


INDUSTRIAL ROTATOR GIR25-01



Technical data

Rotation	Unlimited
Max axial load static	±450 kN (101164 lbf)
Max axial load dynamic	±160 kN (35969 lbf)
Torque at 20 MPa	3500 Nm (2581 lb ft)
Rated displacement	1304 cm ³ /rev
Rotation speed	max 25 rpm
Oil duct area for grapple	260 mm ² (0.403 in ²)
Weight	143 kg (315 lb)

Function	Max working pressure	Rec oilflow	Connections
R - rotation	20 MPa (2901 psi)*	35l/min	G 1/2
GO - grapple/tool open	32 MPa (4641 psi)*		G 1, SAE 1 1/4
GC - grapple/tool close	32 MPa (4641 psi)*		G 1, SAE 1 1/4

* Relief valve fitted

Operating machine

e.g. excavator max weight
Connected via link 18 t