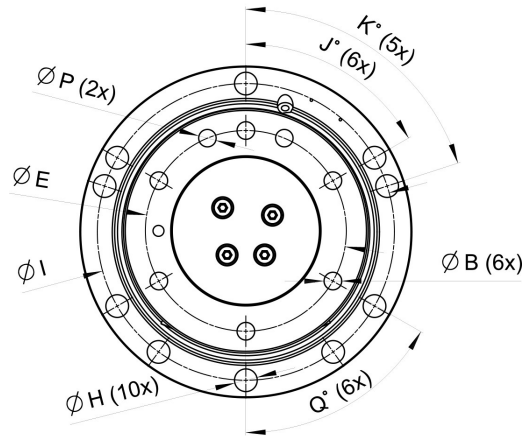
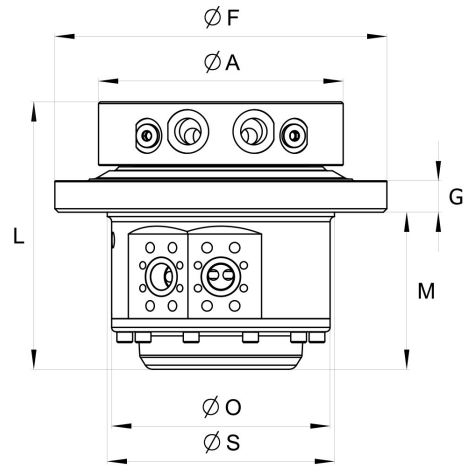
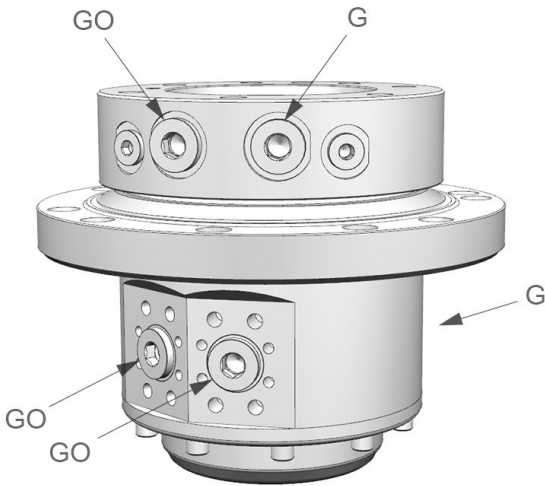


# IR 20M M24

Part No.: 8000512



| Upper        |             | Lower                                       |  |  |  |
|--------------|-------------|---|--|--|--|
| G GO:<br>G 1 | R:<br>G 1/2 | G:<br>SAE 3000 DN 25 / SAE 6000 DN 32 / G 1 | G0:<br>SAE 3000 DN 25 / SAE 6000 DN 32 / G 1 | G0:<br>SAE 3000 DN 25 / SAE 6000 DN 32 / G 1 | G0:<br>SAE 3000 DN 25 / SAE 6000 DN 32 / G 1 |

|               |           |               |               |             |              |               |           |           |              |              |               |              |           |
|---------------|-----------|---------------|---------------|-------------|--------------|---------------|-----------|-----------|--------------|--------------|---------------|--------------|-----------|
| A:<br>Ø280 mm | B:<br>M24 | E:<br>Ø230 mm | F:<br>Ø380 mm | G:<br>36 mm | H:<br>Ø26 mm | I:<br>Ø340 mm | J:<br>60° | K:<br>72° | L:<br>307 mm | M:<br>180 mm | O:<br>Ø250 mm | P:<br>Ø20 mm | Q:<br>60° |
| S:<br>Ø260 mm |           |               |               |             |              |               |           |           |              |              |               |              |           |

|        |      |         |         |        |        |
|--------|------|---------|---------|--------|--------|
|        |      |         |         |        |        |
| 109 kg | 360° | ±450 kN | ±150 kN | 35 MPa | 35 MPa |

Mechanical rotator without motor.

For further technical information relating to integration and hydraulic connections, please contact [rotator@indexator.com](mailto:rotator@indexator.com)