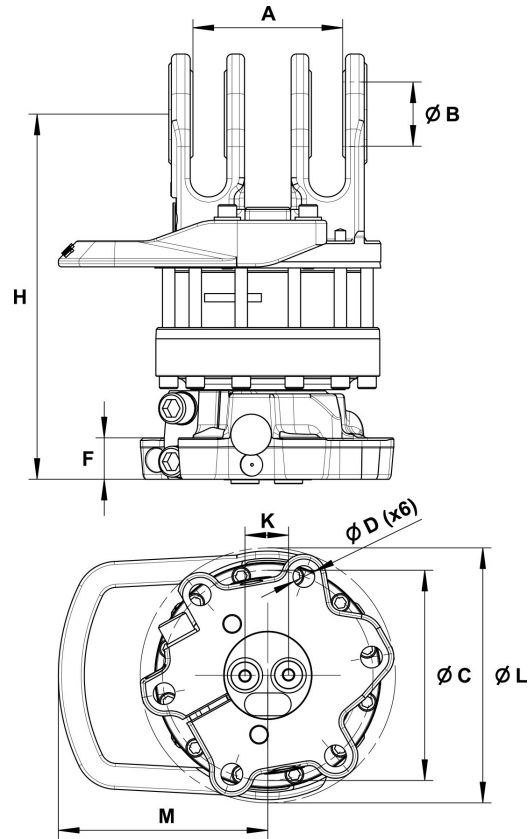
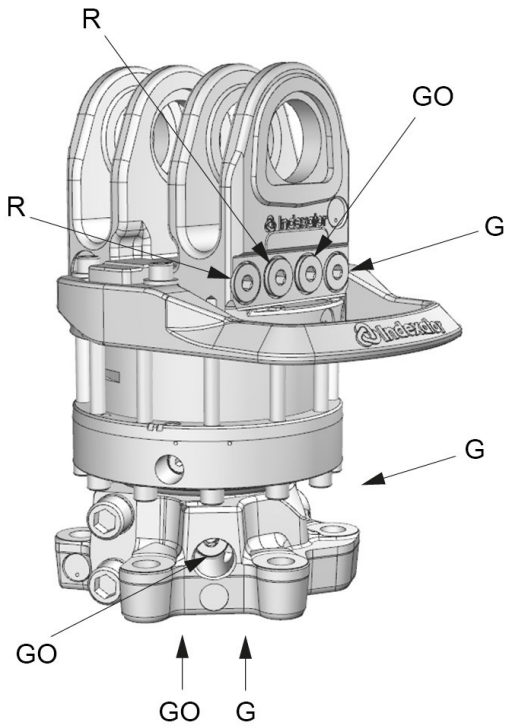


G 171 203

Part No.: 7214082



Upper connection	Lower connection
G 1/2	G 1/2

A: MPB1	B: MPB	C: Ø203 mm	D: Ø21 mm	F: 40 mm	H: 352 mm	K: 42 mm	L: Ø248 mm	M: 202 mm
------------	-----------	---------------	--------------	-------------	--------------	-------------	---------------	--------------

60.6 kg	360°	Max 160 kN	Max 50 kN	3300 Nm	Max 35 l/min	Max 25 MPa	Max 25 MPa	Max 25 MPa

Rotator suitable for MPB swing dampers.

Adapter sets are available for alternative connections.

For further technical information relating to integration and hydraulic connections, please contact rotator@indexator.com