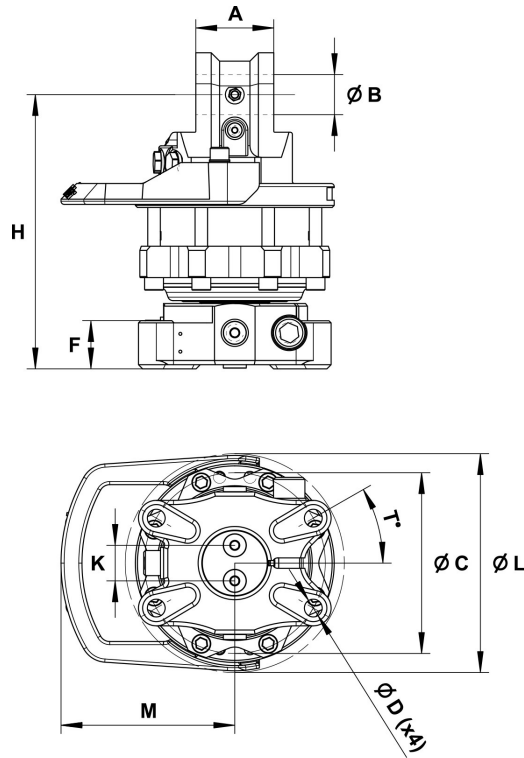
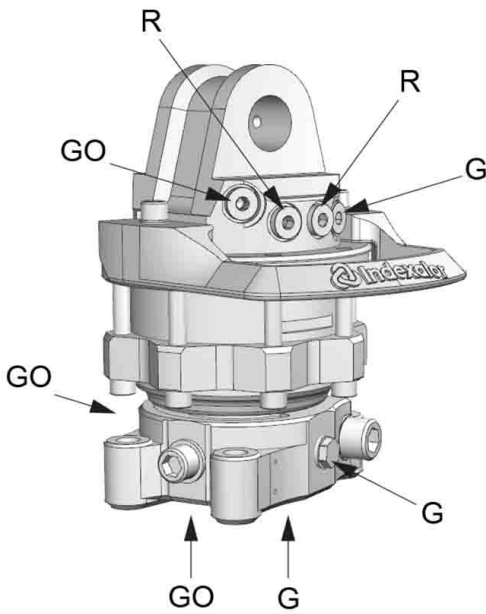











GV 4/38,4 I

Part No.: 5040000



| Upper connection | Lower connection |
|------------------|------------------|
| G 3/8 | G 3/8 |

| | | | | | | | | | |
|-------------|------------------|---------------|--------------|-------------|--------------|-------------|---------------|--------------|-----------|
| A: 75 mm | B: Ø38,354 mm | C: Ø173 mm | D: Ø17 mm | F: 46 mm | H: 263 mm | K: 34 mm | L: Ø207 mm | M: 166 mm | T: 30° |
|-------------|------------------|---------------|--------------|-------------|--------------|-------------|---------------|--------------|-----------|

| | | | | | | | | |
|---|---|---|---|---|--|---|---|---|
|  |  |  |  |  |  |  |  |  |
| 31.8 kg | 360° | 45 kN | 25 kN | 1150 Nm | 12 l/min | 25 MPa | 30 MPa | 30 MPa |

Adapter sets are available for alternative connections.

For further technical information relating to integration and hydraulic connections, please contact rotator@indexator.com