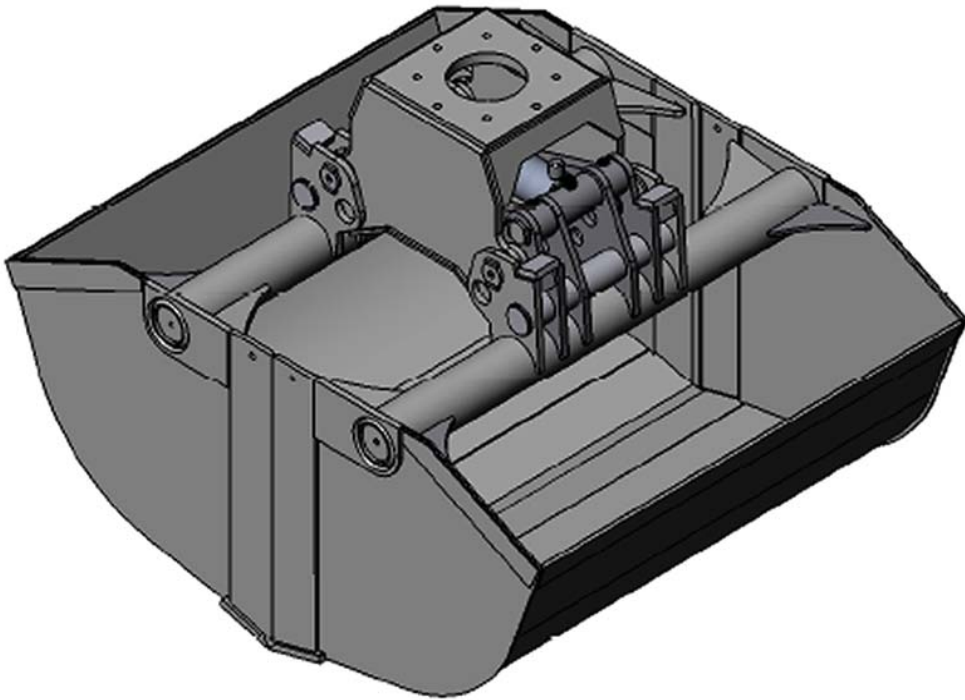
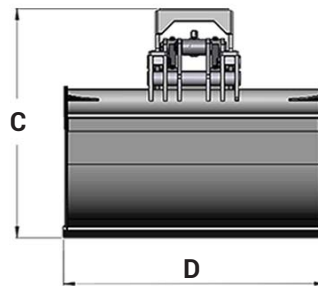
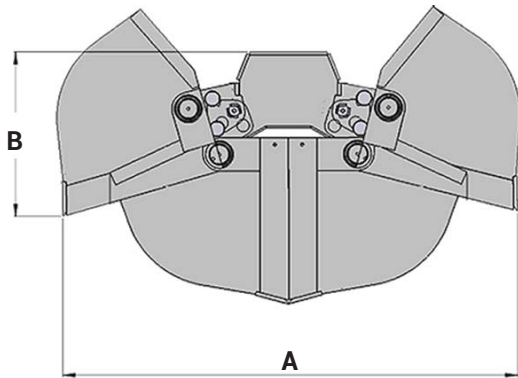


# TIGERGRIP / TCB HD 1000



## KEY FEATURES

- Heavy duty
- Double guide bars
- High tensile wear resistant steel (400 HB)
- Self lubricating bushings
- High tensile wear resistant steel cutting edges (500 HB)
- High pressure cylinder with double piston rod seals



|          |      |
|----------|------|
| <b>A</b> | 1515 |
| <b>B</b> | 790  |
| <b>C</b> | 1094 |
| <b>D</b> | 1000 |

## MODEL SPECIFICATIONS



|             |     |     |     |    |    |    |   |    |    |  |  |  |
|-------------|-----|-----|-----|----|----|----|---|----|----|--|--|--|
| TCB HD 1000 | 520 | 560 | 300 | 60 | 16 | 30 | 3 | 20 | 20 |  |  |  |
|-------------|-----|-----|-----|----|----|----|---|----|----|--|--|--|

# INTERMERCATO

High performance lift and load attachments for Forestry, Transport, Construction and Recycling.

