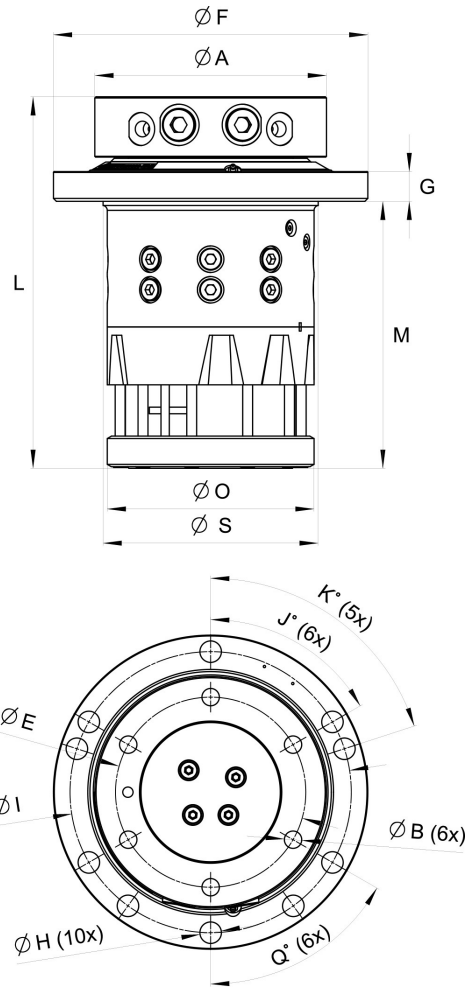
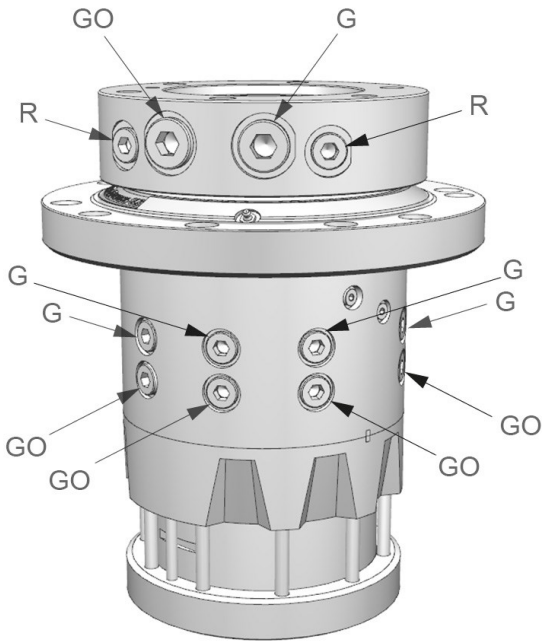


IR 20-5 M24

Part No.: 8000486



Upper		Lower	
G GO: G 1	R: G 1/2	G: G 1/2 (x8)	GO: G 1/2 (x8)

A: Ø280 mm	B: M24	E: Ø230 mm	F: Ø380 mm	G: 36 mm	H: 26 (x8)	I: Ø340 mm	J: 60°	K: 72°	L: 450 mm	M: 323 mm	O: Ø250 mm	Q: 60°	S: Ø260 mm
---------------	-----------	---------------	---------------	-------------	---------------	---------------	-----------	-----------	--------------	--------------	---------------	-----------	---------------

162 kg	360°	±450 kN	±150 kN	4100 Nm	35 l/min	25 MPa	35 MPa	35 MPa

This model has 4 and 5 connection options.

Pressure limiting valves fitted in the motor.

For further technical information relating to integration and hydraulic connections, please contact rotator@indexator.com